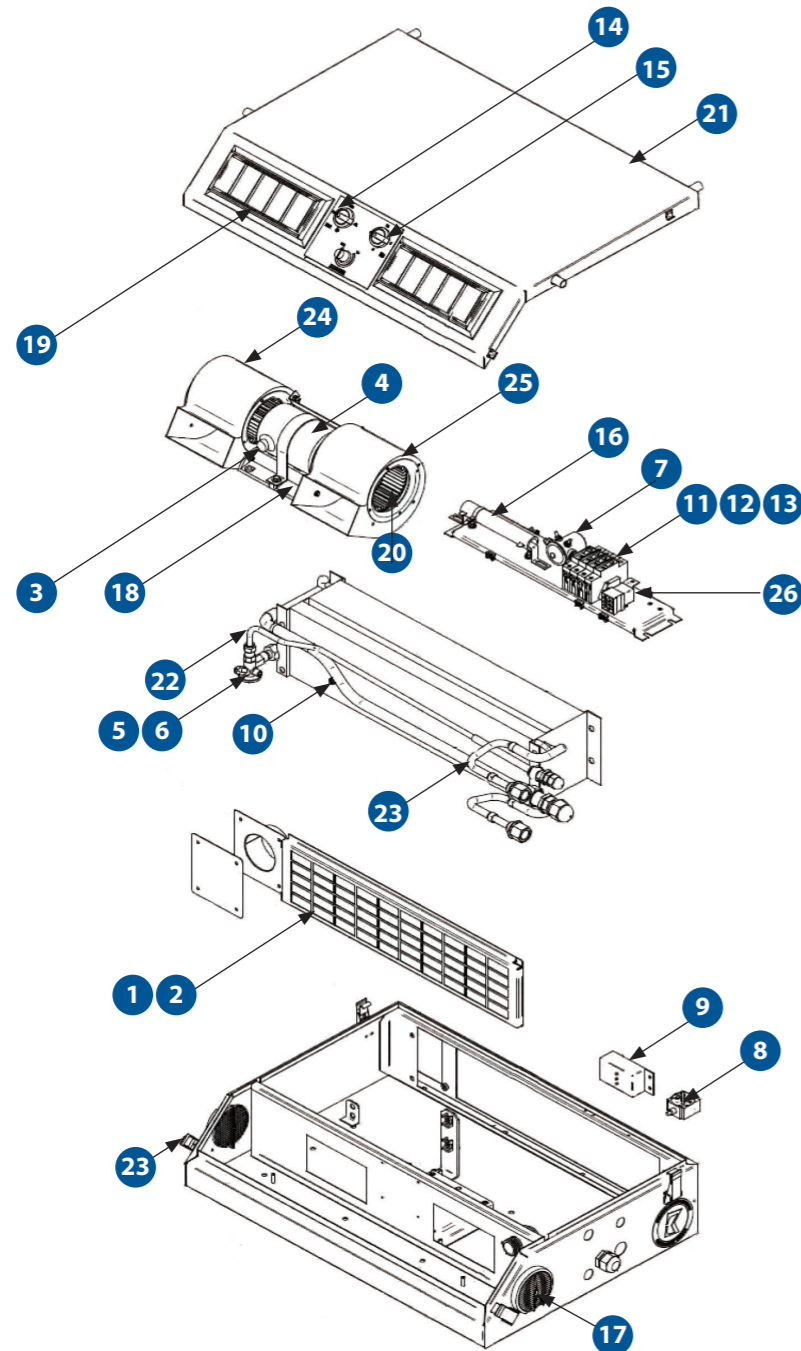




TFC6

CEILING EVAPORATOR

TFC6BX1



SPARE PARTS

PART NO.	DESCRIPTION	QTY
1	AS502003S RETURN AIR FILTER	1
2	UC151 FILTER MATT 10MM GREY G2	1
3	AU320621 BRUSH MOTOR 24VDC EACH	1
4	UE023 MOTOR 0.14KW 24VDC D/S	1
5	AU521509 TX VALVE 2T 3/8" IN 1/2" OUT 1/4" EQ R134A	1
6	AU521505 TX ORIFICE 2T R22 #05	1
7	UE072 RELAY 24VDC 70A AUTOMOTIVE	1
8	UE016 THERMOSTAT DEICE STUD	1
9	AU681925 THERMOSTAT 12-24VDC WITH SENSOR + POT	1
10	AU523365 LP SWITCH 1/4" FF 205kPa	1
11	AU641091 CIRCUIT BREAKER 6A 1POLE	1
12	AU641092 CIRCUIT BREAKER 25A 1POLE	2
13	AU641119 CIRCUIT BREAKER 16A 1 POLE	1
14	AU663562 ROTARY SWITCH A B C D MODE	1
15	AU663563 ROTARY SWITCH A B C D FAN	1
16	AU692107 RESISTOR 2 OHM 100W 3 CLIPS ADJUSTABLE	2
17	AU821704 DIFFUSER ROUND 92MM PVC	2
18	UC027 EVAPORATOR MOTOR MOUNT	2
19	UC901 DIFFUSER 246MM X 104MM	1
20	UF048 BLOWER 108D X 104W X DI	2
21	AS502018 LID ASSEMBLY	1
22	AS502036 SUCTION LINE - COIL TO BULKHEAD	1
AS502038	LIQUID LINE - TX VALVE TO BULKHEAD	1
23	UC310 CATCH TOGGLE OVERCENTRE SS	1
24	AS502009 FAN HOUSING ASSEMBLY L H TFC6	1
25	AS502010 FAN HOUSING ASSEMBLY R H TFC6	1
26	AU661483 RELAY 20A 24VDC 5 PIN	1
AU681926	POT LINEAR 10kOHM WITH PLUG	1
UE057	VALVE SOLENOID 1/4" BSP 24VDC WATER	1
UC310	CATCH TOGGLE OVERCENTRE SS	1
AU853507	LEAF SPRING 105MM X 13MM	1
AU935432	FLAT NEOPRENE EXTRUSION	0.2
S5006029	MOTOR MOUNT CLAMP 97MM	1
UC020	HOSE CLEAR PVC 125MM ID	6
UC096	FTG P3 5/8 STR BRB X 1/4 MBSPT	2
UC311	CATCH STRIKER SS FOR UC310	4
UR008	BULKHEAD FITTING 1/2" MF #8	1
UR009	BULKHEAD FITTING 3/8" MF #6	1
UR010	BULKHEAD FITTING 3/4" MF #12	1
AU517502	VALVE ACCESS 1/4" 1/4" & 3/8" OD SOLDER	1
AU636039	RECEIPT CIRCUIT	1
AU120603	EVAPORATOR+HEATER COIL 600x153x79+33	1

SPECIFICATIONS

	METRIC	IMPERIAL
Cooling Capacity	6.0 kW	20472 BTU
Heating Capacity	6.0 kW	20472 BTU
Fan Speeds	3	3
Air Flow	250 l/s	530 CFM
Fresh Air	30 l/s	64 CFM
Power Supply	24V / 12V	24V / 12V
Current Draw	10.5 / 21A	10.5 / 2A1
Refrigerant	R134a	R134a
Maximum Ambient Temperature	54°C	129°F
Weight (nominal)	36.0 Kg	79.2 lbs
Technical Manual Reference	SM395-5000	SM395-5000
Dimension (L X W X H)	743mm X 530mm X 210mm	29.3in X 20.9in X 8.3in

MAINTENANCE

MONTHLY / 400 HOURS	
AS502003S	RETURN AIR FILTER
UC151	FILTER MATT 10MM GREY G2
AU320621	BRUSH MOTOR 24VDC EACH
ANNUAL / 4,800 HRS	
UE023	MOTOR 0.14W 24VDC D/S
3 YEARS / 14,400 HRS	
AU521509	TX VALVE 2T 3/8"IN 1/2"OUT 1/4"EQ R134a
AU521505	TX ORIFICE 2T R22 #05
AU523365	LP SWITCH 1/4" FF 205KPA
UE016	THERMOSTAT DEICE STUD
UE072	RELAY 24VDC 70A AUTOMOTIVE
AU681483	RELAY 20A 24VDC 5 PIN
UE057	VALVE SOLENOID 1/4" BSP 24VDC WATER
AU681925	THERMOSTAT 12-24VDC WITH SENSOR + POT

Please contact SIGMA for more information including details on an overhaul scope and interval. Maintenance periods and scope are dependent on application and site conditions, and are to be used as a guide.

COMPANION ITEMS

PART NO.	DESCRIPTION
TCF7BX2	Electric Condenser
EB9P4X	Pressuriser
H0017479	Hydraulic Compressor
H0017481	Hydraulic Compressor
AU270306	Engine Driven Compressor
AU270307	Engine Driven Compressor
AU531411	Receiver Drier
AU531422	Receiver Drier

- DRAGLINE & SHOVEL
- DRILL
- EXCAVATOR
- DOZER
- TRUCK
- WHEEL LOADER
- CONSTRUCTION
- UNDERGROUND EQUIPMENT
- INDUSTRIAL
- SMELTERS
- RAIL SPECIAL VEHICLES

OVERVIEW PRESSURISERS E SERIES H SERIES M SERIES T SERIES PILOT CONTROL BOXES SERVICEABLE PARTS UNDERSTANDING HVAC POLICIES