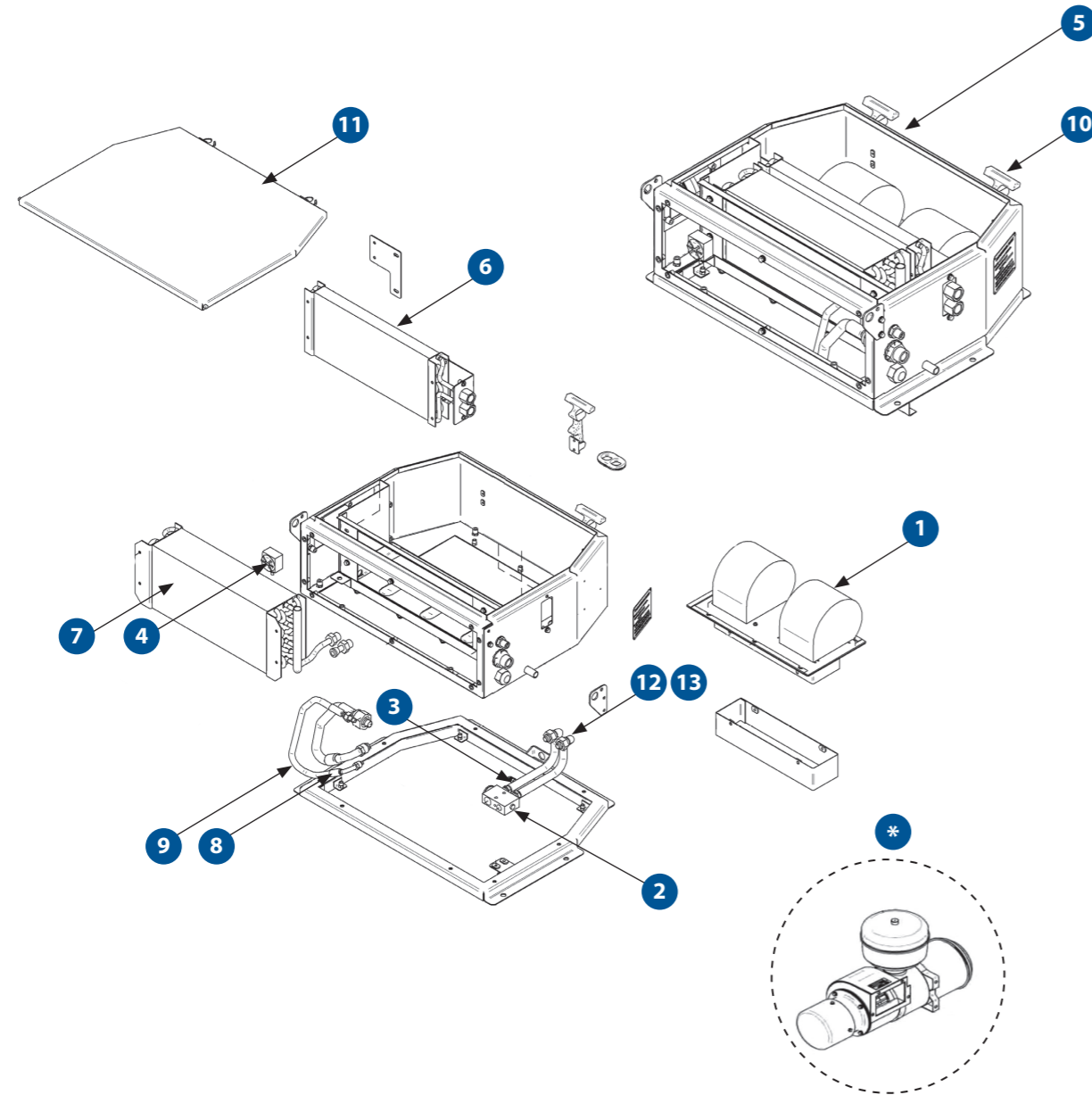




TFR6

ROOFTOP EVAPORATOR

TFR6BX3



* SEE PVV50B3 (PAGE 30) FOR PRESSURISER SPARE PARTS AND MAINTENANCE

SPARE PARTS

PART NO.	DESCRIPTION	QTY
MC044S	RETURN AIR FILTER ASSEMBLY E&T SERIES	1
1 AU400051	FAN DECK 24V 3SPEED	1
2 AU521946	TX VALVE BLOCK 2T 3/8" IN 1/2" OUT R134A	1
3 AU523365	LP SWITCH 1/4" FF 205kPa	1
4 UE016	THERMOSTAT DEICE STUD	1
5 AU862213	SEAL RUBBER	2
6 AU130024	HEATER COIL 376MM X 178MM X 32MM 2RW TFR6BX3	1
7 AU120853	EVAPORATOR COIL 376 X 178 X 95 6RW (TFR6BX3)	1
8 AS3337059	FLEXIBLE HOSE ASSEMBLY SUCTION TFR6	1
9 AS3337058	FLEXIBLE HOSE ASSEMBLY LIQUID LINE TFR6	1
10 AU851590	TOGGLE CLAMP RUBBER	2
11 AS3337050	LID ASSEMBLY	1
12 AS3337056	PIPE ASSEMBLY TX TO EVAPORATOR SUCTION	1
13 AS3337057	PIPE ASSEMBLY TX TO EVAPORATOR DISCHARGE	1
UE057	VALVE SOLENOID 1/4" BSP 24VDC WATER	1
AU661487	RELAY 50A 24VDC 1 POLE	1
AU681925	THERMOSTAT 12-24VDC WITH SENSOR + POT	1
AU862217	SEAL EMKA	1
AU663563	ROTARY SWITCH	1
AU663569	ROTARY SWITCH 1 2 3 4 WITH DUST BOOT	1
AU641C107	CIRCUIT BREAKER 10A PUSH PULL	1
AU641065	CIRCUIT BREAKER 25A PUSH PULL	1
AU821707	DIFFUSER 196MM X 83MM PLASTIC	2
AU641C110	CIRCUIT BREAKER 15A PUSH PULL	1
AU641C111	CIRCUIT BREAKER 5A PUSH PULL	1
UC504	DRAIN NOZZLE 13MM	4
UC020	HOSE CLEAR PVC 12 5MM ID	6
AU681925	THERMOSTAT 12 - 24 VDC WITH SENSOR + POT	1
AU681926	POT 10K WITH PLUG	1
S3337060	CASE SEAL (TFR6BX3)	1

* SEE PVV50B3 (PAGE 30) FOR PRESSURISER SPARE PARTS AND MAINTENANCE

145 For more information email Sigma mid. aus@sigma-hvac.com

SPECIFICATIONS

	METRIC	IMPERIAL
Cooling Capacity	6.0 kW	20472 BTU
Heating Capacity	4.5 kW	15354 BTU
Fan Speeds	3	3
Air Flow	170 l/s	360 CFM
Fresh Air	30 l/s	64 CFM
Power Supply	24V	24V
Current Draw	13.5 / 27A	13.5 / 27A
Refrigerant	R134a	R134a
Maximum Ambient Temperature	54°C	129°F
Weight (nominal)	75.0 Kg	165.0 lbs
Technical Manual Reference	SM395-5000	SM395-5000
Dimension L X W X H	774mm X 600mm X 266mm	30.5in X 23.6in X 10.5in

MAINTENANCE

MONTHLY / 400 HOURS

MC044S RETURN AIR FILTER ASSEMBLY E&T SERIES

ANNUAL / 4,800 HOURS

AU400051 FAN DECK 24V 3SPEED
 AU521946 TX VALVE BLOCK 2T 3/8" IN 1/2" OUT R134A

3 YEARS / 14,400 HOURS

AU521946 TX VALVE BLOCK 2T 3/8" IN 1/2" OUT R134A
 AU523365 LP SWITCH L1/4" FF 205kPa
 UE016 THERMOSTAT DEICE STUD
 AU661487 RELAY 50A 24V DC 1 POLE
 UE057 VALVE SOLENOID 1/4" BSP 24VDC WATER
 AU681925 THERMOSTAT 12-24VDC WITH SENSOR + POT
 AU862213 SEAL RUBBER
 AU862217 SEAL EMKA

Please contact SIGMA for more information including details on an overhaul scope and interval. Maintenance periods and scope are dependent on application and site conditions, and are to be used as a guide.

COMPANION ITEMS

PART NO.	DESCRIPTION
TCF7BX2	Electric Condenser
EB9P4X	Pressuriser
H0017479	Hydraulic Compressor
H0017481	Hydraulic Compressor
AU1102401	Radiator Condenser
AU270306	Engine Driven Compressor
AU270307	Engine Driven Compressor
AU2790311	Engine Driven Compressor
AU270312	Engine Driven Compressor
AU531422	Receiver Drier

- DRAGLINE & SHOVEL
- DRILL
- EXCAVATOR
- DOZER
- TRUCK
- WHEEL LOADER
- CONSTRUCTION
- UNDERGROUND EQUIPMENT
- INDUSTRIAL
- SMELTERS
- RAIL SPECIAL VEHICLES