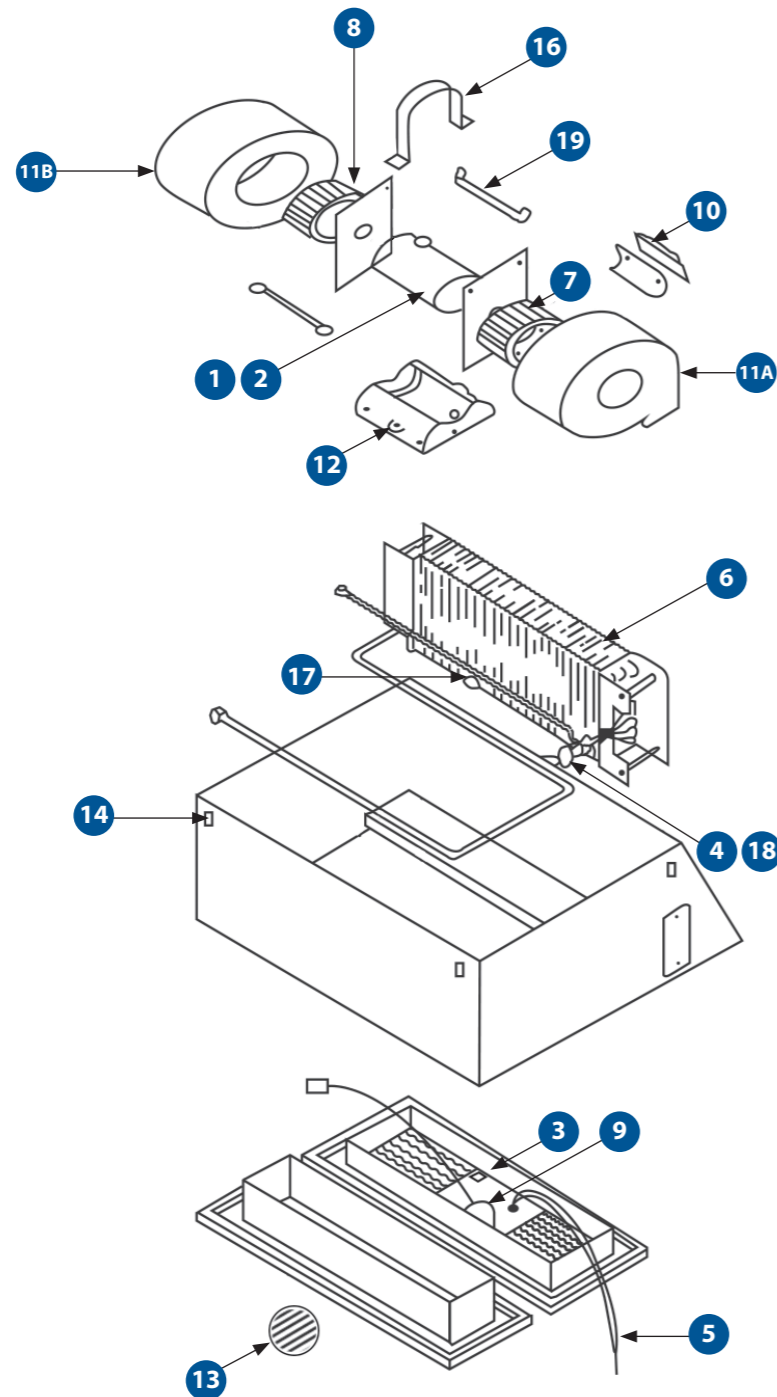


EB9E EVAPORATOR

EB9EH2X* | EB9EH4X | EB9E24SS*

* HVAC obsolete, spares support only



SPARE PARTS

PART NO.	DESCRIPTION	QTY
1	AU320621 BRUSH MOTOR 24VDC EACH UE048 MOTOR 12VDC BRUSHED	2 2
2	UE022 MOTOR 12VDC D/S (EB9EH2) UE023 MOTOR 24VDC D/S (EB9EH4)	1 1
3	UE016 THERMOSTAT DEICE STUD	1
4	AU521923 TX VALVE 1.5T 3/8" IN 1/2" OUT 1/4" EQ	1
5	UC042 CABLE PUSH/PULL F/DRIVE 1500MM	1
6	UR145 EVAPORATOR COIL 356X178X92 5RW EB9E	1
7	UF017 BLOWER 121D X 76W X 3/8" CCW SI	1
8	UF018 BLOWER 121D X 76W X 3/8" CW SI	1
9	AU663095 ROTARY SWITCH OFF HI LO LO	1
10	UE185 RESISTOR 0.5 OHM 50W 12 & 24V	1
11A	UF040 HOUSING SUPPLY AIR FAN CCW	1
11B	UF041 HOUSING SUPPLY AIR FAN CW	1
12	UC027 EVAPORATOR MOTOR MOUNT	1
13	AU821704 DIFFUSER ROUND 92MM PVC	5
14	UC048 LATCH TOGGLE OVER-CENTRE	4
15	UF034 INLET RING 103.5MM	1
16	S5006029 MOTOR MOUNT CLAMP 97MM	1
17	UR042 PRESSURE CONTROL ADAPTOR	2
18	UR173 CLAMP TX VALVE BULB 5/8 X 3/8	1
19	S5006030 FAN SET BRACE	2
	UR032 TX VALVE STRAINER FOR AU521923	1
	UR037 HEATER COIL 354MM X 178MM X 32MM 2RW EB9	1
	UE183 RESISTOR 3 OHM 50W 24V	1
	U700 CIRCUIT BREAKER 40A STUD TYP MANUAL	1
	AU744827 VALVE WATER 16MM	1
	AU517502 VALVE ACCESS 1/4" 1/4" & 3/8"OD SOLDER	1
	UE064 DPC 1/4" MF HP 2206kPa LP 196kPa	1
	UF089 FAN DECK 24V EB9	1
	BC036 SEAL CAB TO CASE 360MM X 422MM	1
	UC047 KEEPER PLATE ZP	4
	UR011 BULKHEAD FITTING 5/8" MF #10	1
	UR009 BULKHEAD FITTING 3/8" MF #6	1

SPECIFICATIONS

	METRIC	IMPERIAL
Cooling Capacity	5.0 kW	17060 BTU
Heating Capacity	4.6 kW	15695 BTU
Air Flow	130 l/s	275 CFM
Fresh Air	30 l/s	64 CFM
Power Supply	24V / 12V	24V / 12V
Current Draw	7A / 14A	7A / 14A
Refrigerant	R134a	R134a
Maximum Ambient Temperature	46°C	115°F
Weight (nominal)	26.0 Kg	57.2 lbs
Technical Manual Reference	SM144-2071	SM144-2071
Dimension L X W X H	570mm X 545mm X 250mm	22.4in X 21.5in X 9.8in

MAINTENANCE

6 MONTHS / 2,500 HOURS

UE048	MOTOR 12VDC BRUSHED
AU320621	BRUSH MOTOR 24VDC EACH

ANNUAL / 5,000 HOURS

UE022	MOTOR 12VDC D/S (EB9EH2)
UE023	MOTOR 24VDC D/S (EB9EH4)

3 YEARS / 15,000 HOURS

UE016	THERMOSTAT DEICE STUD
UE064	DPC 1/4" MF HP 2206kPa LP 196kPa
AU521923	TX VALVE 1.5T 3/8" IN 1/2" OUT 1/4" EQ
UR032	TX VALVE STRAINER FOR AU521923

Please contact SIGMA for more information including details on an overhaul scope and interval. Maintenance periods and scope are dependent on application and site conditions, and are to be used as a guide.

COMPANION ITEMS

PART NO.	DESCRIPTION
EB9C4	Electric Condenser
EB9P4X	Pressuriser
HDC150	Hydraulic Compressor
AU2961001	Electric Compressor
AU110388	Radiator Condenser
AU270306	Engine Driven Compressor
AU270307	Engine Driven Compressor
AU2790311	Engine Driven Compressor
AU270312	Engine Driven Compressor
AU531422	Receiver Drier
KNHV80001	Installation Kits
KNHV80011	Installation Kits